

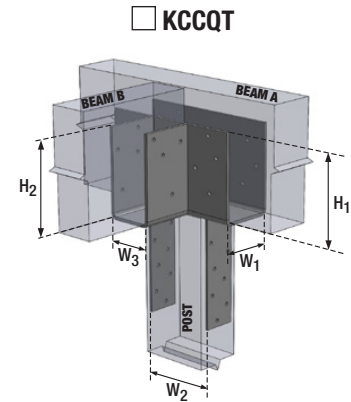
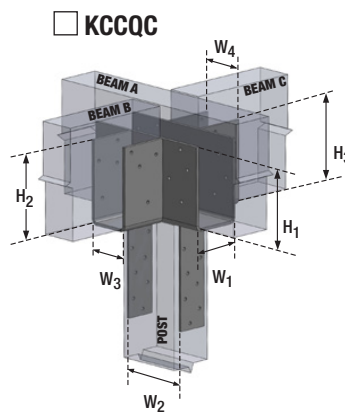
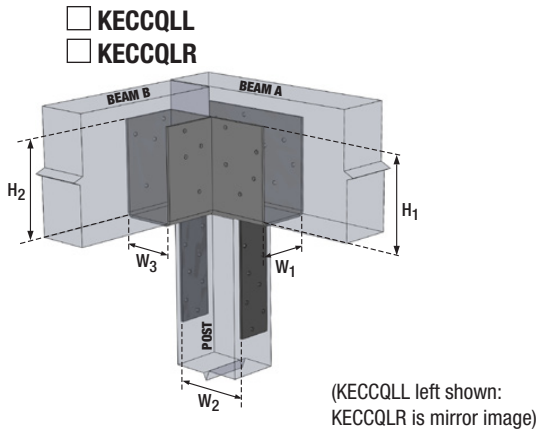
KCCQ/KECCQ Special Order Worksheet

INSTRUCTIONS FOR ORDERING MULTI-BEAM COLUMN CAPS:

- 1. CHOOSE COLUMN CAP STYLE:** Choose the style of cap you require by checking one of the boxes below. Refer to your plans if you are not sure on the style you require.
- 2. DETERMINE THE DIMENSIONS OF THE CAP:** Start by filling out the dimensions of the members in the connection, in the Post and Beam dimensions section, and then follow the footnotes, in the Column Cap Dimensions section, to fill in the dimensions of the Column Cap.
- 3. DETERMINE THE VERTICAL ALIGNMENT OF THE BEAM:** Check the box in the Beam's Vertical Alignment that best represents your connection.

- 4. STRAP STYLE:** Check the box that represents the strap style you require.
- 5. SELECT FINISH OF CAP:** The standard Column Cap comes in USP grey primer. For Hot-dip galvanized specify "HDG".
- 6. PLACE ORDER:** Contact USP Structural Connector for ordering information.

MULTIPLE BEAM COLUMN CAPS



Post and Beam Dimensions:

Provide dimensions in **actual inches** (not nominal dimensions).

Beam A: Width _____ Height _____

Beam B: Width _____ Height _____

Beam C: Width _____ Height _____

Post Size: _____

If post is not square, specify width of post between the straps _____

Column Cap Dimensions:

$W_1 =$ _____ $H_1 =$ _____

$W_3 =$ _____ $H_2 =$ _____

$W_4 =$ _____ $H_3 =$ _____

$W_2 =$ _____

W_1, W_3, W_4 will typically be 1/8"-1/4" greater than beam widths. W_2 will typically be 0"-1/8" greater than post width.

Internal Use Only

Signature: _____

ORIENTATION OF BEAM HEIGHT

Refer to your plans to determine the correct orientation of your beam. Check the box for the orientation that best describes your beam configuration and ensure that the column cap dimensions are as follows:

Side Beam Flush at Top and Bottom



Column Cap Dimensions: $H_2 = H_1$

Side Beam Flush at Top - Extends Below Main Beam



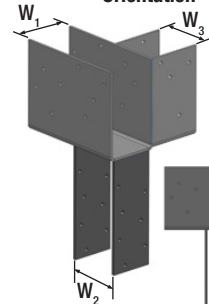
Column Cap Dimensions: $H_2 > H_1$

Side Beam Flush at Bottom - Extends Above Main Beam

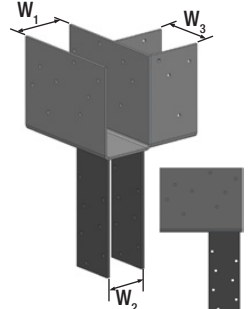


Column Cap Dimensions: $H_2 = H_1$

Standard Strap Orientation

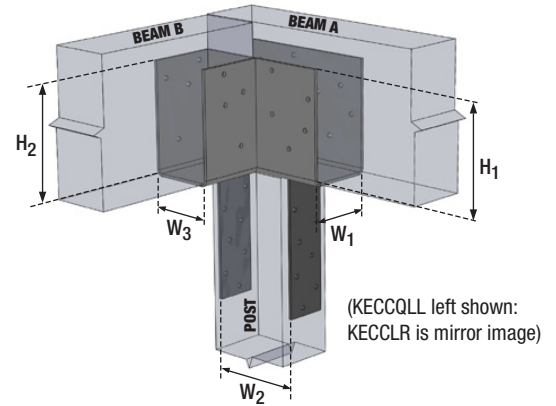


Straps Rotated*



Column Cap Dimensions: $W_2 \leq W_1$
* Not available for all models of column caps

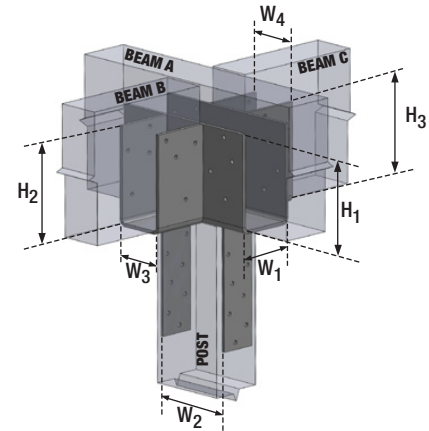
Stock No.	W1	W2	W3	H1	H2	Side Stirrup Direction
KECCL0325-4	3-1/4	3-5/8	3-1/4	6-1/2	6-1/2	Specify Left or Right
KECCL0325-6	3-1/4	5-1/2	3-1/4	6-1/2	6-1/2	
KECCL044	3-5/8	3-5/8	3-5/8	6-1/2	6-1/2	Specify Left
KECCL044	3-5/8	3-5/8	3-5/8	6-1/2	6-1/2	
KECCL044	3-5/8	3-5/8	3-5/8	6-1/2	6-1/2	Specify Right
KECCL045	3-5/8	3-5/8	3-5/8	6-1/2	6-1/2	
KECCL046	3-5/8	5-1/2	3-5/8	6-1/2	6-1/2	Specify Left or Right
KECCL046	3-5/8	5-1/2	3-5/8	6-1/2	6-1/2	
KECCL046	3-5/8	5-1/2	3-5/8	6-1/2	6-1/2	Specify Left
KECCL046	3-5/8	5-1/2	3-5/8	6-1/2	6-1/2	
KECCL047	3-5/8	7-1/8	3-5/8	6-1/2	6-1/2	Specify Left or Right
KECCL047X	3-5/8	7-1/8	3-5/8	6-1/2	6-1/2	
KECCL048	3-5/8	7-1/2	3-5/8	6-1/2	6-1/2	Specify Left or Right
KECCL0525-4	5-1/4	3-5/8	5-1/4	8	8	
KECCL0525-6	5-1/4	5-1/2	5-1/4	8	8	
KECCL0525-8	5-1/4	7-1/2	5-1/4	8	8	
KECCL057	5-3/8	7-1/8	5-3/8	6-1/2	6-1/2	Specify Left or Right
KECCL064	5-1/2	3-5/8	5-1/2	6-1/2	6-1/2	
KECCL066	5-1/2	5-1/2	5-1/2	6-1/2	6-1/2	Specify Left
KECCL066	5-1/2	5-1/2	5-1/2	6-1/2	6-1/2	
KECCL066	5-1/2	5-1/2	5-1/2	6-1/2	6-1/2	Specify Right
KECCL067X	5-1/2	7-1/8	5-1/2	6-1/2	6-1/2	
KECCL068	5-1/2	7-1/2	5-1/2	6-1/2	6-1/2	Specify Left or Right
KECCL074	6-7/8	3-5/8	6-7/8	6-1/2	6-1/2	
KECCL076	6-7/8	5-1/2	6-7/8	6-1/2	6-1/2	
KECCL077	6-7/8	6-7/8	6-7/8	6-1/2	6-1/2	
KECCL078	6-7/8	7-1/2	6-7/8	6-1/2	6-1/2	
KECCL071-4	7-1/8	3-5/8	7-1/8	6-1/2	6-1/2	Specify Left or Right
KECCL071-6	7-1/8	5-1/2	7-1/8	6-1/2	6-1/2	
KECCL071-71	7-1/8	7-1/8	7-1/8	6-1/2	6-1/2	
KECCL071-8	7-1/8	7-1/2	7-1/8	6-1/2	6-1/2	
KECCL084	7-1/2	3-5/8	7-1/2	6-1/2	6-1/2	Specify Left or Right
KECCL086	7-1/2	5-1/2	7-1/2	6-1/2	6-1/2	
KECCL088	7-1/2	7-1/2	7-1/2	6-1/2	6-1/2	
KECCL094	8-7/8	3-5/8	8-7/8	6-1/2	6-1/2	
KECCL096	8-7/8	5-1/2	8-7/8	6-1/2	6-1/2	
KECCL098	8-7/8	7-1/2	8-7/8	6-1/2	6-1/2	
KECCL106	9-1/2	5-1/2	9-1/2	6-1/2	6-1/2	



KECCL/KECQLR

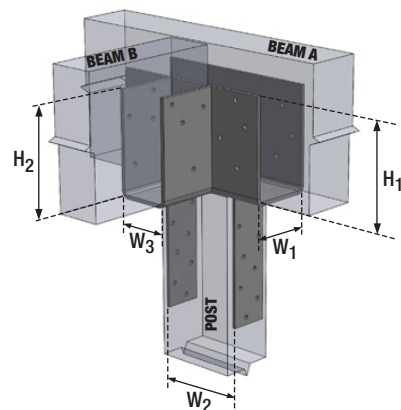
(KECQL left shown:
KECCLR is mirror image)

Stock No.	W1	W2	W3	W4	H1	H2	H3
KCCQ0325-4	3-1/4	3-5/8			6-1/2		
KCCQ0325-6	3-1/4	5-1/2			6-1/2		
KCCQ044	3-5/8	3-5/8			6-1/2		
KCCQ045	3-5/8	5-3/8			6-1/2		
KCCQ046	3-5/8	5-1/2			6-1/2		
KCCQ047	3-5/8	7-1/8			6-1/2		
KCCQ047X	3-5/8	7-1/8			6-1/2		
KCCQ048	3-5/8	7-1/2			6-1/2		
KCCQ0525-4	5-1/4	3-5/8			8		
KCCQ0525-6	5-1/4	5-1/2			8		
KCCQ0525-8	5-1/4	7-1/2			8		
KCCQ057	5-3/8	7-1/8			6-1/2		
KCCQ064	5-1/2	3-5/8			6-1/2		
KCCQ066	5-1/2	5-1/2			6-1/2		
KCCQ067X	5-1/2	7-1/8			6-1/2		
KCCQ068	5-1/2	7-1/2	Specify	Specify	6-1/2	Specify	Specify
KCCQ074	6-7/8	3-5/8			6-1/2		
KCCQ076	6-7/8	5-1/2			6-1/2		
KCCQ077	6-7/8	6-7/8			6-1/2		
KCCQ078	6-7/8	7-1/2			6-1/2		
KCCQ071-4	7-1/8	3-5/8			6-1/2		
KCCQ071-6	7-1/8	5-1/2			6-1/2		
KCCQ071-71	7-1/8	7-1/8			6-1/2		
KCCQ071-8	7-1/8	7-1/2			6-1/2		
KCCQ084	7-1/2	3-5/8			6-1/2		
KCCQ086	7-1/2	5-1/2			6-1/2		
KCCQ088	7-1/2	7-1/2			6-1/2		
KCCQ094	8-7/8	3-5/8			6-1/2		
KCCQ096	8-7/8	5-1/2			6-1/2		
KCCQ098	8-7/8	7-1/2			6-1/2		
KCCQ106	9-1/2	5-1/2			6-1/2		



KCCQ

Stock No.	W1	W2	W3	H1	H2
KCCQT0325-4	3-1/4	3-5/8		6-1/2	
KCCQT0325-6	3-1/4	5-1/2		6-1/2	
KCCQT044	3-5/8	3-5/8		6-1/2	
KCCQT045	3-5/8	5-3/8		6-1/2	
KCCQT046	3-5/8	5-1/2		6-1/2	
KCCQT047	3-5/8	7-1/8		6-1/2	
KCCQT047X	3-5/8	7-1/8		6-1/2	
KCCQT048	3-5/8	7-1/2		6-1/2	
KCCQT0525-4	5-1/4	3-5/8		8	
KCCQT0525-6	5-1/4	5-1/2		8	
KCCQT0525-8	5-1/4	7-1/2		8	
KCCQT057	5-3/8	7-1/8		6-1/2	
KCCQT064	5-1/2	3-5/8		6-1/2	
KCCQT066	5-1/2	5-1/2		6-1/2	
KCCQT067X	5-1/2	7-1/8		6-1/2	
KCCQT068	5-1/2	7-1/2	Specify	6-1/2	Specify
KCCQT074	6-7/8	3-5/8		6-1/2	
KCCQT076	6-7/8	5-1/2		6-1/2	
KCCQT077	6-7/8	6-7/8		6-1/2	
KCCQT078	6-7/8	7-1/2		6-1/2	
KCCQT071-4	7-1/8	3-5/8		6-1/2	
KCCQT071-6	7-1/8	5-1/2		6-1/2	
KCCQT071-71	7-1/8	7-1/8		6-1/2	
KCCQT071-8	7-1/8	7-1/2		6-1/2	
KCCQT084	7-1/2	3-5/8		6-1/2	
KCCQT086	7-1/2	5-1/2		6-1/2	
KCCQT088	7-1/2	7-1/2		6-1/2	
KCCQT094	8-7/8	3-5/8		6-1/2	
KCCQT096	8-7/8	5-1/2		6-1/2	
KCCQT098	8-7/8	7-1/2		6-1/2	
KCCQT106	9-1/2	5-1/2		6-1/2	



KCCQT